



# AD600 ALKALINE BATTERY DRILL

## INSTRUCTION MANUAL

BEFORE RETURNING THIS PRODUCT FOR ANY REASON PLEASE CALL

1-800-54-HOW-TO (544-6986)

IF YOU SHOULD EXPERIENCE A PROBLEM WITH YOUR BLACK & DECKER PURCHASE, CALL 1-800-54-HOW-TO (1-800-544-6986). IN MOST CASES, A BLACK & DECKER REPRESENTATIVE CAN RESOLVE YOUR PROBLEM OVER THE PHONE. IF YOU HAVE A SUGGESTION OR COMMENT, GIVE US A CALL. YOUR FEEDBACK IS VITAL TO THE SUCCESS OF BLACK & DECKER'S QUALITY IMPROVEMENT PROGRAM.

### KEY INFORMATION YOU SHOULD KNOW:

- **TO OPERATE:** Rotate the collar to the position marked Power. Press the button marked (1) in Fig. A to operate in forward mode; press the button marked (2) to operate in reverse. Rotate the collar to the position marked Manual to use as a conventional non-powered screwdriver.
- **TO INSTALL A BIT :** Pull back on the sleeve marked (4) in Fig. D. Insert the accessory into the holder and release the sleeve. Use hex shank accessories only.
- **Use only with AA alkaline batteries.**



SAVE THIS MANUAL FOR FUTURE REFERENCE.

VEA EL ESPAÑOL EN LA CONTRAPORTADA.

INSTRUCTIVO DE OPERACIÓN, CENTROS DE SERVICIO Y PÓLIZA DE GARANTÍA. **ADVERTENCIA:** LEASE ESTE INSTRUCTIVO ANTES DE USAR EL PRODUCTO.

Cat No. AD600 Form No. 611196-00 (APR-02-1) Copyright © 2002 Black & Decker Printed in China

### ⚠️ GENERAL SAFETY RULES - FOR ALL BATTERY OPERATED TOOLS

#### ⚠️ WARNING! READ AND UNDERSTAND ALL INSTRUCTIONS.

Failure to follow all instructions listed below, may result in electric shock, fire and/or serious personal injury.

#### SAVE THESE INSTRUCTIONS

#### Work Area

- **Keep your work area clean and well lit.** Cluttered benches and dark areas invite accidents.
- **Do not operate power tools in explosive atmospheres, such as in the presence of flammable liquids, gases, or dust.** Power tools create sparks which may ignite the dust or fumes.
- **Keep bystanders, children, and visitors away while operating a power tool.** Distractions can cause you to lose control.

#### Electrical Safety

- **Do not abuse the cord. Never use the cord to carry the tool. Keep cord away from heat, oil, sharp edges or moving parts. Replace damaged cords immediately.** Damaged cords may create a fire.
- **A battery operated tool with integral batteries or a separate battery pack must be recharged only with the specified charger for the battery.** A charger that may be suitable for one type of battery may create a risk of fire when used with another battery.
- **Use battery operated tool only with specifically designated battery pack.** Use of any other batteries may create a risk of fire.

#### Personal Safety

- **Stay alert, watch what you are doing and use common sense when operating a power tool. Do not use tool while tired or under the influence of drugs, alcohol, or medication.** A moment of inattention while operating power tools may result in serious personal injury.
- **Dress properly. Do not wear loose clothing or jewelry. Contain long hair. Keep your hair, clothing, and gloves away from moving parts.** Loose clothes, jewelry, or long hair can be caught in moving parts. Air vents cover moving parts and should be avoided.
- **Avoid accidental starting. Be sure switch is in the locked or off position before inserting battery pack.** Carrying tools with your finger on the switch or inserting the battery pack into a tool with the switch on invites accidents.
- **Remove adjusting keys or wrenches before turning the tool on.** A wrench or a key that is left attached to a rotating part of the tool may result in personal injury.
- **Do not overreach. Keep proper footing and balance at all times.** Proper footing and balance enable better control of the tool in unexpected situations.
- **Use safety equipment. Always wear eye protection.** Dust mask, non-skid safety shoes, hard hat, or hearing protection must be used for appropriate conditions.

#### Tool Use and Care

- **Use clamps or other practical way to secure and support the workpiece to a stable platform.** Holding the work by hand or against your body is unstable and may lead to loss of control.
- **Do not force tool. Use the correct tool for your application.** The correct tool will do the job better and safer at the rate for which it is designed.
- **Do not use tool if switch does not turn it on or off.** A tool that cannot be controlled with the switch is dangerous and must be repaired.
- **Disconnect battery pack from tool or place the switch in the locked or off position before making any adjustments, changing accessories, or storing the tool.** Such preventive safety measures reduce the risk of starting the tool accidentally.
- **Store idle tools out of reach of children and other untrained persons.** Tools are dangerous in the hands of untrained users.

- **When battery pack is not in use, keep it away from other metal objects like: paper clips, coins, keys, nails, screws or other small metal objects that can make a connection from one terminal to another.** Shorting the battery terminals together may cause sparks, burns, or a fire.
- **Maintain tools with care. Keep cutting tools sharp and clean.** Properly maintained tools, with sharp cutting edge are less likely to bind and are easier to control.
- **Check for misalignment or binding of moving parts, breakage of parts, and any other condition that may affect the tool's operation. If damaged, have the tool serviced before using.** Many accidents are caused by poorly maintained tools.
- **Use only accessories that are recommended by the manufacturer for your model.** Accessories that may be suitable for one tool may create a risk of injury when used on another tool.

#### Service

- **Tool service must be performed only by qualified repair personnel.** Service or maintenance performed by unqualified personnel may result in a risk of injury.
- **When servicing a tool, use only identical replacement parts. Follow instructions in the Maintenance section of this manual.** Use of unauthorized parts or failure to follow Maintenance Instructions may create a risk of shock or injury.

#### SPECIFIC SAFETY RULES

- **Hold tool by insulated gripping surfaces when performing an operation where the cutting tool may contact hidden wiring or its own cord.** Contact with a "live" wire will make exposed metal parts of the tool "live" and shock the operator.
- **Avoid body contact with grounded surfaces such as pipes, radiators, ranges and refrigerators.** There is an increased risk of electric shock if your body is grounded.

The label on your tool may include the following symbols.

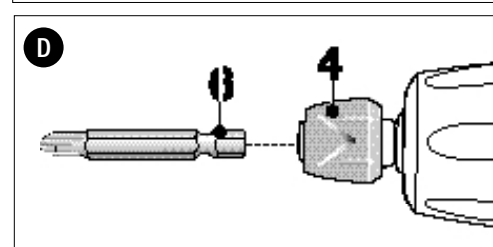
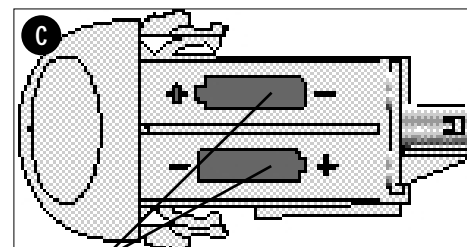
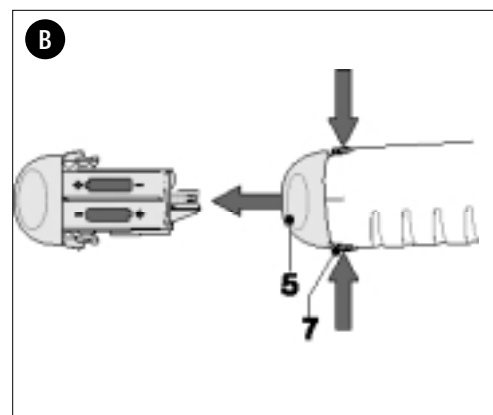
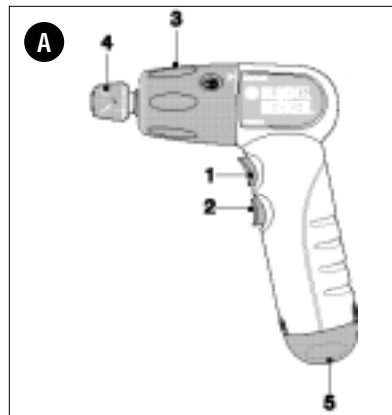
V .....	volts	A .....	amperes
Hz .....	hertz	W .....	watts
min .....	minutes	~ .....	alternating current
==== .....	direct current	n <sub>o</sub> .....	no load speed
⊠ .....	Class II Construction	⊕ .....	earthing terminal
⚠ .....	safety alert symbol	.../min .....	revolutions or reciprocations per minute

⚠️ **WARNING:** Some dust created by power sanding, sawing, grinding, drilling, and other construction activities contains chemicals known to cause cancer, birth defects or other reproductive harm. Some examples of these chemicals are:

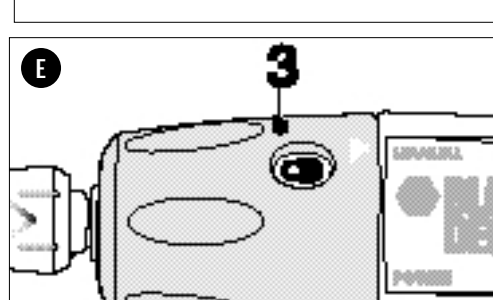
- lead from lead-based paints,
- crystalline silica from bricks and cement and other masonry products, and
- arsenic and chromium from chemically-treated lumber. (CCA)

Your risk from these exposures varies, depending on how often you do this type of work. To reduce your exposure to these chemicals: work in a well ventilated area, and work with approved safety equipment, such as those dust masks that are specially designed to filter out microscopic particles.

- **Avoid prolonged contact with dust from power sanding, sawing, grinding, drilling, and other construction activities. Wear protective clothing and wash exposed areas with soap and water.** Allowing dust to get into your mouth, eyes, or lay on the skin may promote absorption of harmful chemicals.



Position Instructions  
Directives concernant la position des piles  
Instructivo para las posiciones



#### FEATURES (FIGURE A)

1. On / Off Switch (forward direction)
2. On / Off Switch (reverse direction)
3. Spindle lock collar
4. Bit holder sleeve
5. Battery holder

#### BATTERY INSTALLATION

The AD600 drill uses four size AA alkaline batteries only.

To install batteries in your tool, remove the battery holder end cap (5) by depressing the two tabs (7), as shown in Figure B. Pull the battery holder out of the tool, as shown in Figure C, and observe the battery position instructions printed on the battery holder. (The plus and minus ends of the batteries are marked with + and - signs.) **NOTE:** Some battery manufacturers mark only the plus (+) ends of the batteries. In these cases, the unmarked end of the battery is the (-) end. Install the batteries as indicated and reinstall the cap.

The end cap and battery holder assembly will only fit back into the tool one way. If it does not seem to fit properly, don't force it. Rotate it one half way around and try it again. When it is in all the way, ensure that the two tabs snap into place. **IMPORTANT:** Incorrectly installed batteries will reduce the tool's performance or prevent its operation entirely. If your batteries are fresh and you feel the tool lacks power or doesn't run, double check the battery holder to see if the batteries are installed properly (+ and - signs aligned as shown.) If proper installation and fresh batteries do not yield satisfactory performance, take or send the tool to your local Black & Decker Service Center for a thorough inspection.

Be careful when storing the tool so that the switch is not inadvertently depressed by some object. This would, of course, deplete the batteries in just a short while.

#### Operating Instructions

##### INSERTING AN ACCESSORY (FIGURE D)

- Hold the unit in one hand.
- Pull the sleeve (4) back.
- Insert the shank of the accessory (6) into the holder.
- Release the sleeve.

##### MANUAL SPINDLE LOCK (FIGURE E)

The manual spindle lock allows you to use the tool as a regular manual screwdriver. You can give an extra twist to firmly tighten a screw or to loosen a very tight screw.

- To activate the spindle lock, turn the collar (3) to show the **LOCK** symbol.
- To release the spindle lock, turn the collar (3) to show the **POWER** symbol.

**NOTE:** Do not attempt to operate the tool when the spindle lock is activated.

## OPERATING THE TOOL (FIGURE A)

- Make sure that the spindle lock is released.
- To tighten a screw or nut, keep the on/off switch (1) depressed.
- To loosen a screw or nut, keep the on/off switch (2) depressed.
- To switch the tool off, release the on/off switch.

## Hints for optimum use

- Always use the correct type of screwdriver bit or drill bit.
- If screws are difficult to tighten, try applying a small amount of washing liquid or soap as a lubricant.
- Use the spindle lock to loosen very tight screws or to firmly tighten screws.
- Always hold the tool and screwdriver bit in a straight line with the screw.
- Do not use drill bits with a diameter larger than 1/4 inch.
- When drilling in plasterboard, use a 3/16 inch drill bit for the supplied plugs.
- When screwing in wood, drill a 1/16 inch pilot hole for the supplied screws. A pilot hole guides the screw and prevents splintering or distortion of the wood.

## Maintenance

Use only mild soap and damp cloth to clean the tool. Never let any liquid get inside the tool; never immerse any part of the tool into a liquid.

**IMPORTANT:** To assure product SAFETY and RELIABILITY, repairs, maintenance and adjustment should be performed by authorized service centers or other qualified service personnel, always using identical replacement parts.

## Lubrication

Black & Decker tools are properly lubricated at the factory and are ready for use.

## Accessories

Recommended accessories for use with your tool are available from your local dealer or authorized service center. If you need assistance regarding accessories, please call: **1 800-544-6986**

**CAUTION:** Use only hex shank accessories with this product. The use of any accessory or attachment not recommended may be hazardous.

## SERVICE INFORMATION

Black & Decker offers a full network of company-owned and authorized service locations throughout North America. All Black & Decker Service Centers are staffed with trained personnel to provide customers with efficient and reliable power tool service.

Whether you need technical advice, repair, or genuine factory replacement parts, contact the Black & Decker location nearest you. To find your local service location, refer to the yellow page directory under "Tools—Electric" or call: **1-800-544-6986**.

## Full Two-Year Home Use Warranty

Black & Decker (U.S.) Inc. warrants this screwdriver for two years against any defects in material or workmanship. This warranty does not include the batteries. The defective product will be replaced or repaired at no charge in either of two ways.

The first, which will result in exchanges only, is to return the product to the retailer from whom it was purchased (provided that the store is a participating retailer). Returns should be made within the time period of the retailer's policy for exchanges (usually 30 to 90 days after the sale). Proof of purchase may be required. Please check with the retailer for their specific return policy regarding returns that are beyond the time set for exchanges.

The second option is to take or send the product (prepaid) to a Black & Decker owned or authorized Service Center for repair or replacement at our option. Proof of purchase may be required. Black & Decker owned and authorized Service Centers are listed under "Tools-Electric" in the yellow pages of the phone directory.

This warranty does not apply to accessories. This warranty gives you specific legal rights and you may have other rights which vary from state to state and province to province. Should you have any questions, contact the manager of your nearest Black & Decker Service Center. This product is not intended for commercial use.

Imported by  
Black & Decker (U.S.) Inc.,  
701 E. Joppa Rd.  
Towson, MD 21286 U.S.A.



See 'Tools-Electric'  
- Yellow Pages -  
for Service & Sales



# PERCEUSE AD600 À PILES ALCALINES

## GUIDE D'UTILISATION

Avant de retourner ce produit pour quelque raison que ce soit, appelez Black & Decker au **1 800 544-6986**.

SI VOUS ÉPROUVEZ UN PROBLÈME AVEC L'OUTIL, COMPOSEZ LE **1 800 544-6986**. DANS LA MAJORITÉ DES CAS, LE REPRÉSENTANT **BLACK & DECKER** SERA EN MESURE DE LE RÉSOUDRE PAR TÉLÉPHONE. VEUILLEZ NOUS FAIRE PART DE VOS QUESTIONS OU DE VOS COMMENTAIRES EN COMPOSANT LE MÊME NUMÉRO, CAR CEUX-CI AIDENT À ASSURER LA RÉUSSITE DE NOTRE PROGRAMME D'AMÉLIORATION DE LA QUALITÉ.

### RENSEIGNEMENTS IMPORTANTS :

- **FONCTIONNEMENT** : tourner le collet jusqu'à la position « **POWER** ». Appuyer sur le bouton situé du côté droit du tournevis pour la marche avant ou le bouton situé du côté gauche pour la marche arrière. Tourner le collet jusqu'à la position « **MANUAL** » pour utiliser l'outil comme un tournevis manuel ordinaire..
- **INSTALLATION D'UNE MÈCHE** : enfoncer fermement la mèche dans la cavité de la broche, jusqu'à ce qu'elle soit bien enclenchée. Si la mèche ne s'insère pas correctement dans la broche, la faire pivoter et essayer à nouveau.
- **N'insérer que des piles alcalines AA dans cet outil.**

### ⚠️ RÈGLES DE SÉCURITÉ CONCERNANT LES OUTILS À PILE - GÉNÉRALITÉS

**AVERTISSEMENT** : lire, comprendre et suivre toutes les directives précisées ci-dessous, y compris les consignes de sécurité, afin d'éviter les risques de choc électrique, d'incendie ou de blessure grave.

### CONSERVER CES MESURES.

#### ZONE DE TRAVAIL

- **Garder la zone de travail propre et bien éclairée;** les établis encombrés et les endroits sombres sont propices aux accidents.
- **Ne pas utiliser les outils électriques dans une atmosphère explosive, comme à proximité de liquides, de gaz ou de poussières inflammables;** le moteur peut créer des étincelles et enflammer les vapeurs ou les poussières environnantes.
- **Tenir les enfants, les visiteurs ou toute autre personne éloignés lorsqu'on utilise un outil électrique;** les distractions peuvent faire perdre la maîtrise de ce dernier.

#### MESURES DE SÉCURITÉ - ÉLECTRICITÉ

- **Ne pas utiliser le cordon de manière abusive, ni transporter l'outil en le tenant par le cordon. On doit tenir le cordon éloigné des sources de chaleur, de l'huile, des bords tranchants ou des pièces mobiles. Remplacer immédiatement les cordons endommagés,** car ces derniers augmentent les risques d'incendie.
- **Un outil à piles intégrées ou à bloc-pile externe doit être rechargé seulement au moyen du chargeur approprié,** car un chargeur destiné à une pile particulière peut entraîner un risque d'incendie lorsqu'il est utilisé avec une autre.

- **N'utiliser l'outil à piles qu'avec le bloc-pile désigné,** car l'utilisation d'un autre type de piles peut entraîner un risque d'incendie.

#### SÉCURITÉ PERSONNELLE

- **Rester vigilant en tout temps et faire preuve de jugement lorsqu'on utilise un outil électrique; ne pas utiliser l'outil lorsqu'on est fatigué ou sous l'influence de drogues, d'alcool ou de médicaments,** car un moment d'inattention peut entraîner des blessures graves.
- **Porter des vêtements appropriés; ne pas porter de vêtements amples ni de bijoux. Couvrir ou attacher les cheveux longs. Garder les cheveux, les vêtements, les bijoux et les gants éloignés des pièces mobiles,** car ceux-ci peuvent s'y coincer. Se tenir éloigné des événements puisque ces derniers pourraient camoufler des pièces mobiles.
- **Éviter les démarrages accidentels; s'assurer que l'interrupteur est en position de verrouillage ou d'arrêt avant d'insérer le bloc-pile dans l'outil.** Ne pas transporter l'outil en laissant le doigt sur l'interrupteur ni y insérer le bloc-pile lorsque l'interrupteur est en position de marche, car cela pourrait causer un accident.
- **Retirer les clés de réglage avant de démarrer l'outil;** une clé laissée sur une pièce rotative peut entraîner des blessures.
- **Ne pas trop étendre les bras; les pieds doivent rester ancrés fermement au sol afin de maintenir son équilibre en tout temps** et de mieux maîtriser l'outil dans des situations imprévues.
- **Utiliser le matériel de sécurité approprié; toujours porter des lunettes de protection.** Porter un masque anti-poussières, des chaussures antidérapantes, un casque de sécurité ou des protecteurs auditifs lorsque la situation le requiert.

#### UTILISATION ET ENTRETIEN DE L'OUTIL

- **Fixer et soutenir la pièce sur une plate-forme stable au moyen d'une butée fixe ou de tout autre dispositif semblable;** la pièce est instable lorsqu'on la retient manuellement ou qu'on l'appuie contre le corps, ce qui peut faire perdre la maîtrise de l'outil.
- **Ne pas forcer l'outil ni l'utiliser pour des travaux autres que ceux pour lesquels il a été conçu.** Pour obtenir de meilleurs résultats et prévenir les risques de blessure, laisser l'outil couper à la vitesse pour laquelle il a été conçu.
- **Ne pas utiliser l'outil lorsque l'interrupteur marche-arrêt ne fonctionne pas;** tout outil qui ne peut être commandé au moyen de l'interrupteur est dangereux et doit être réparé.
- **Débrancher le bloc-pile de l'outil ou mettre l'interrupteur en position de verrouillage ou d'arrêt avant d'effectuer un réglage, de changer les accessoires ou de ranger l'outil;** ces mesures de sécurité préventives réduisent les risques de démarrage accidentel.
- **Lorsqu'on n'utilise pas l'outil, le ranger hors de la portée des enfants ou des personnes non qualifiées;** les outils sont dangereux entre les mains de personnes inexpérimentées.
- **Lorsqu'on n'utilise pas le bloc-pile, le ranger à l'écart des objets métalliques tels que les trombones, les pièces de monnaie, les clés, les clous, les vis ou autres petits objets susceptibles de conduire l'électricité entre les bornes** et d'occasionner ainsi un court-circuit pouvant provoquer des étincelles, des brûlures ou un incendie.
- **Bien entretenir l'outil et s'assurer qu'il est toujours bien propre et aiguisé;** les outils bien entretenus et dont les bords sont bien tranchants sont moins susceptibles de rester coincés et sont plus faciles à maîtriser.
- **Vérifier les pièces mobiles afin de s'assurer qu'elles sont bien alignées et qu'elles ne restent pas coincées; vérifier également les pièces afin de s'assurer qu'il n'y a ni bris ni aucune autre condition susceptible de nuire au bon fonctionnement de l'outil; faire réparer l'outil si ce dernier est endommagé avant de s'en servir à nouveau,** car les accidents sont souvent causés par des outils mal entretenus.
- **N'utiliser que les accessoires recommandés par le fabricant pour le modèle en question;** un accessoire destiné à un outil particulier peut devenir dangereux lorsqu'il est utilisé avec un autre.

#### ENTRETIEN

- **L'outil doit être entretenu ou réparé par le personnel qualifié seulement;** toute maintenance effectuée par une personne non qualifiée peut entraîner des risques de blessure.
- **Lors de l'entretien, n'utiliser que des pièces de rechange identiques et suivre les directives de la section «Entretien» du présent guide** afin de prévenir les risques de choc électrique ou de blessure.

#### RÈGLES DE SÉCURITÉ PARTICULIÈRES

- **Tenir l'outil par les surfaces isolées prévues à cette fin lorsque l'outil risque d'entrer en contact avec des fils cachés ou le cordon,** car de tels contacts peuvent mettre les pièces métalliques de l'outil sous tension, engendrant des risques de choc électrique.
- **Éviter tout contact entre le corps et les éléments mis à la terre, comme les tuyaux, les radiateurs, les cuisinières et les réfrigérateurs,** afin de réduire les risques de choc électrique.

L'étiquette de l'outil peut comporter les symboles suivants.

V .....	volts	A.....	ampères
Hz .....	hertz	W .....	watts
min.....	minutes	~ .....	courant alternatif
==== .....	courant continu	nO.....	sous vide
☐ .....	construction de classe II	⊕ .....	borne de terre
⚠ .....	symbole d'avertissement	.../min .....	tours ou courses à la minute

**⚠️ AVERTISSEMENT** : certains outils électriques, tels que les sableuses, les scies, les meules, les perceuses ou certains autres outils de construction, peuvent produire de la poussière contenant des produits chimiques susceptibles d'entraîner le cancer, des malformations congénitales ou pouvant être nocifs pour le système reproductif. Parmi ces produits chimiques, on retrouve :

- le plomb dans les peintures à base de plomb,
- la silice cristalline dans les briques et le ciment et autres produits de maçonnerie,
- l'arsenic et le chrome dans le bois de sciage ayant subi un traitement chimique (comme l'arséniate de cuivre et de chrome).

Le risque associé à de telles expositions varie selon la fréquence avec laquelle on effectue ces travaux. Pour réduire l'exposition à de tels produits, il faut travailler dans un endroit bien aéré et utiliser le matériel de sécurité approprié, tel un masque anti-poussières spécialement conçu pour filtrer les particules microscopiques.

#### COMPOSANTS (FIGURE A)

1. Interrupteur (marche avant)
2. Interrupteur (marche arrière)
3. Collier du dispositif de verrouillage de la broche
4. Manchon du porte-mèche
5. Compartiment des piles

#### INSTALLATION DES PILES

La perceuse AD600 fonctionne au moyen de quatre piles alcalines AA.

Pour les installer, retirer le compartiment des piles et le capuchon d'extrémité (5) en enfonçant les deux languettes (7), tel qu'illustré à la figure B. Tirer sur le compartiment pour le dégager de l'outil (fig. C) et consulter les directives concernant la position des piles imprimées sur le compartiment. (Les extrémités positive et négative des piles sont indiquées au moyen des signes + et -). **REMARQUE** : certains fabricants de piles n'indiquent que l'extrémité positive (+). Dans un tel cas, l'extrémité négative (-) n'est pas marquée. Installer les piles tel qu'indiqué, puis réinstaller le capuchon.

L'ensemble capuchon/compartiment des piles ne peut être réinséré dans l'outil que dans un seul sens. Ne pas le forcer s'il ne s'insère pas correctement; le tourner d'un demi-tour et essayer de l'installer à nouveau. Une fois l'ensemble enfoncé jusqu'au fond, s'assurer que les deux languettes sont bien enclenchées. **IMPORTANT** : des piles mal installées réduisent

# MANUAL DE INSTRUCCIONES

## INFORMACIÓN CLAVE QUE USTED DEBE SABER:

- **PARA OPERAR:** Gire el collar hasta la posición marcada Corriente (**Power**). Oprima el botón marcado (1) en la Fig. A para operar en modalidad de avance; oprima el botón marcado (2) para operar en reversa. Gire el collar a la posición marcada **Manual** para usar la herramienta como un destornillador convencional sin corriente.
- **PARA INSTALAR UNA BROCA :** Empuje hacia atrás la manga marcada (4) en la Fig. D. Inserte el accesorio en el sujetador y suelte la manga. Sólo use accesorios con espiga hexagonal.
- **Usar sólo con baterías alcalinas tamaño AA.**

## ⚠️ REGLAS GENERALES DE SEGURIDAD – PARA TODAS LAS HERRAMIENTAS QUE FUNCIONAN CON BATERÍAS.

### ⚠️ ¡ADVERTENCIA! LEA Y ASEGÚRESE DE COMPRENDER TODAS LAS INSTRUCCIONES.

El no hacerlo puede originar riesgos de electrochoque, incendio, y lesiones personales de gravedad.

## GUARDE ESTAS INSTRUCCIONES

### ÁREA DE TRABAJO

- **Conserve su área de trabajo limpio y bien iluminado.** Los bancos amontonados y las zonas oscuras propician los accidentes.
- **No utilice herramientas eléctricas en atmósferas explosivas, tales como en presencia de líquidos, gases o polvos inflamables.** Las herramientas eléctricas producen chispas que pueden originar la ignición de los polvos o los vapores.
- **No permita a ningún observador, niño o visitante acercarse mientras opera una herramienta eléctrica.** Las distracciones pueden hacerle perder el control.

### SEGURIDAD ELÉCTRICA

- **No maltrate el cable. Nunca tome la herramienta por el cable para transportarla. Mantenga el cable alejado de calor, del aceite, de bordes afilados o de piezas móviles. Cambie inmediatamente los cables dañados.** Estos podrían originar un incendio.
- **Una herramienta que funciona con baterías integradas o por separado debe recargarse solamente con el cargador especificado para esa batería.** Un cargador adecuado para un tipo de batería puede originar riesgos de incendio cuando se utiliza con otro tipo de batería.
- **Utilice su herramienta de baterías sólo con las baterías designadas específicamente para la misma.** El uso de otro tipo de baterías puede originar riesgos de incendio.

### SEGURIDAD PERSONAL

- **Esté siempre alerta, concéntrese en lo que está haciendo y recurra al sentido común cuando utilice una herramienta eléctrica. No utilice ninguna herramienta si se encuentra fatigado o bajo la influencia de drogas, alcohol o medicamentos.** Un descuido de su parte mientras utiliza una herramienta eléctrica puede ocasionarle graves lesiones.
- **Vístase adecuadamente. No utilice ropa floja ni joyas. Sujete el cabello si lo tiene largo. Mantenga el cabello, ropas y guantes alejados de las piezas móviles.** Las piezas de vestir flojas, las joyas y el cabello largo pueden quedar atrapadas por las piezas móviles.
- **Evite el encendido accidental. Asegúrese de que el interruptor esté apagado o asegurado antes de conectar el aparato.** Sostener una herramienta con su dedo colocado en el interruptor o conectarla sin fijarse si el interruptor está encendido, puede provocar accidentes.
- **Retire las llaves de ajuste o presión antes de encender la herramienta.** El dejar una llave en una pieza giratoria puede ocasionar lesiones personales.
- **No se incline demasiado. Conserve siempre los pies bien apoyados, al igual que su equilibrio.** La posición correcta de los pies y el equilibrio permiten controlar mejor la herramienta en situaciones inesperadas.
- **Utilice equipo de seguridad. Proteja siempre sus ojos.** Las mascarillas contra el polvo, los zapatos de seguridad antideslizantes, el casco o los protectores auditivos deben ser utilizados con el fin de trabajar en condiciones apropiadas.

### USO Y CUIDADOS DE LA HERRAMIENTA

- **Utilice prensas u otros medios prácticos para asegurar y apoyar la pieza de trabajo a una plataforma estable.** Sujetar las piezas con la mano o contra su cuerpo es inestable y puede originar la pérdida de control.
- **No fuerce la herramienta. Utilice la herramienta adecuada según la situación.** Esto le permitirá ejecutar mejor el trabajo, de manera más segura y al ritmo para el cual ha sido diseñada.
- **No utilice la herramienta si el interruptor no la enciende y la apaga.** Cualquier herramienta que no pueda controlarse por medio del interruptor es peligrosa y debe ser reparada.
- **Desconecte la batería de la herramienta o coloque el interruptor en la posición de seguro o apagado antes de realizar cualquier ajuste, cambiar accesorios o guardar la herramienta.** Esta medida preventiva reduce el riesgo de encendido accidental de la herramienta.
- **Guarde las herramientas que no utiliza fuera del alcance de los niños y de cualquier otra persona no entrenada.** Las herramientas son peligrosas en manos de personas sin entrenamiento.
- **Cuando no utilice la batería, consérvela alejada de otros objetos metálicos tales como clips, monedas, llaves, clavos, tornillos y otros pequeños objetos metálicos que puedan hacer conexión entre una terminal y la otra.** Hacer corto entre las terminales de la batería puede originar chispas, quemaduras o incendios.
- **Mantenga adecuadamente sus herramientas. Conserve las herramientas de corte afiladas y limpias.** Aquellas herramientas con piezas de corte afiladas que reciben un mantenimiento adecuado, difícilmente se atascan y son más fáciles de controlar.
- **Verifique la correcta alineación de las piezas móviles, presencia de roturas en las piezas y cualquier otra anomalía que pueda afectar el funcionamiento adecuado de las herramientas. Si su herramienta se encuentra dañada, llévela al servicio de mantenimiento antes de utilizarla.** La falta de un mantenimiento adecuado puede ser la causa de muchos accidentes.
- **Utilice solamente aquellos accesorios recomendados por el fabricante para el modelo de la herramienta que usted posee.** Los accesorios apropiados para una herramienta pueden resultar peligrosos cuando se usan en otra.

### SERVICIO

- **El servicio a la herramienta debe ser hecho por personal de reparación calificado únicamente.** El servicio o mantenimiento realizado por personal no calificado puede provocar riesgos de lesiones.
- **Cuando se efectúe el mantenimiento de una herramienta, utilice únicamente accesorios originales. Siga las instrucciones presentadas en la sección Mantenimiento, de este manual.** El empleo de piezas no autorizadas o el no seguir las instrucciones de mantenimiento, puede originar riegos de electrochoque o lesiones

### REGLAS DE SEGURIDAD ESPECÍFICAS

- **Cuando realice una operación en la cual la herramienta pueda hacer contacto con cables escondidos, sosténgala de las partes con aislamiento antideslizante.** El contacto con un cable con corriente hará que las partes metálicas de la herramienta puedan transmitir una descarga eléctrica al operario.

le rendimiento de l'outil ou empêchent ce dernier de fonctionner. Si les piles sont chargées complètement mais que l'outil manque de puissance ou ne fonctionne pas, vérifier de nouveau le compartiment afin de s'assurer que les piles sont installées correctement (signes + et – alignés tel qu'indiqué). Si le problème persiste, apporter ou envoyer l'outil au centre de service Black & Decker le plus près aux fins d'une inspection complète.

S'assurer qu'aucun objet ne touche accidentellement l'interrupteur lorsqu'on range l'outil afin d'éviter de décharger les piles inutilement.

## Mode d'emploi

### INSTALLATION DE LA MÈCHE (FIGURE D)

- Tenir l'outil d'une main.
- Tirer sur le manchon (4).
- Insérer la tige de la mèche (6) dans le porte-mèche.
- Relâcher le manchon.

### BOUTON DE VERROUILLAGE MANUEL DE LA BROCHE (FIGURE E)

Le bouton de verrouillage manuel de la broche permet d'utiliser l'outil comme un tournevis manuel ordinaire. Pour bien serrer une vis ou en desserrer une qui est grippée, il suffit d'exercer une torsion supplémentaire.

- Pour actionner le bouton de verrouillage de la broche, tourner le collier (3) jusqu'au symbole **DE VERROUILLAGE**.
- Pour relâcher le bouton, tourner le collier (3) jusqu'au symbole de **MISE SOUS TENSION**.

**REMARQUE :** ne pas tenter de faire fonctionner l'outil lorsque le bouton est actionné.

### FONCTIONNEMENT DE L'OUTIL (FIGURE A)

- S'assurer que le bouton de verrouillage de la broche est relâché.
- Enfoncez l'interrupteur marche-arrêt (1) pour serrer une vis ou un écrou.
- Enfoncez l'interrupteur marche-arrêt (2) pour desserrer une vis ou un écrou.
- Relâcher l'interrupteur pour arrêter l'outil.

### CONSEILS PRATIQUES POUR UN USAGE OPTIMAL

- Toujours utiliser la mèche appropriée.
- Si les vis sont difficiles à serrer, les lubrifier au moyen d'une petite quantité de solution nettoyante ou de savon.
- Utiliser le bouton de verrouillage de la broche pour serrer fermement une vis ou en desserrer une qui est grippée.
- Toujours tenir l'outil et la mèche de tournevis en ligne droite par rapport à la vis.
- Ne pas utiliser des mèches ayant un diamètre supérieur à 6 mm (¼ po).
- Percer un trou dans les cloisons sèches au moyen d'une mèche de 4,8 mm (3/16 po) qui convient aux fiches fournies.
- Lorsqu'on visse dans le bois, on doit percer un avant-trou de 1,6 mm (1/16 po) de diamètre pour les vis fournies afin de guider ces dernières et d'éviter que le bois ne se fractionne ou ne se déforme.

### ENTRETIEN

Nettoyer l'outil seulement au moyen d'un linge humide et d'un savon doux. Ne jamais laisser de liquide s'infiltrer à l'intérieur de l'outil; ne jamais immerger ce dernier dans quelque liquide que ce soit.

**IMPORTANT :** pour assurer la **SÉCURITÉ** et la **FIABILITÉ** de ce produit, toutes les opérations de réparation, d'entretien et de réglage doivent être effectuées dans un centre de service autorisé ou par du personnel qualifié; on ne doit utiliser que des pièces de rechange identiques.

### LUBRIFICATION

Les outils Black & Decker sont lubrifiés en usine et sont donc prêts à utiliser.

### ACCESSOIRES

Les accessoires recommandés pour cet outil sont vendus séparément chez les dépositaires locaux ou dans tous les centres de service autorisés. Pour obtenir plus d'information sur les accessoires, composer le **1 800 544-6986**.

⚠️ **MISE EN GARDE :** utiliser seulement des mèches à tige hexagonale avec ce produit. L'usage d'un accessoire non recommandé peut présenter un danger.

### INFORMATION SUR LES SERVICES

Black & Decker dispose d'un réseau complet composé de centres de service et de centres autorisés situés partout en Amérique du Nord. Tous les centres de service Black & Decker sont dotés de personnel qualifié en matière d'outillage électrique; ils sont donc en mesure d'offrir à leur clientèle un service efficace et fiable. Pour obtenir un conseil technique ou une pièce d'origine ou pour faire réparer un outil, on peut communiquer avec le centre Black & Decker le plus près. Pour obtenir le numéro de téléphone, consulter les pages jaunes sous la rubrique «Outils - électriques» ou composer le **1 800 544-6986**.

## Garantie complète de deux ans pour usage résidentiel

Black & Decker (U.S.) Inc. garantit ce produit pour une période de deux ans contre tout défaut de matériel ou de fabrication. Cette garantie exclut les piles. Le produit défectueux sera réparé ou remplacé sans frais, suivant l'une des deux méthodes suivantes.

La première méthode consiste en un échange seulement. On doit retourner le produit au détaillant qui l'a vendu (pourvu qu'il s'agisse d'un détaillant participant), en respectant les délais stipulés dans sa politique relative aux échanges (normalement de 30 à 90 jours après la vente). Une preuve d'achat peut être requise. On doit vérifier la politique de retour du détaillant pour tout produit retourné après le délai prescrit pour les échanges.

La deuxième méthode consiste à apporter ou à envoyer le produit (prépayé) à un centre Black & Decker ou à un centre de service autorisé aux fins de réparation ou de remplacement, selon notre choix. Une preuve d'achat peut être requise. Les centres Black & Decker et les centres de service autorisés sont répertoriés dans les pages jaunes sous la rubrique «Outils - électriques».

Cette garantie ne s'applique pas aux accessoires. Elle confère des droits légaux particuliers à l'acheteur, mais celui-ci pourrait aussi bénéficier d'autres droits variant d'un territoire à l'autre.

Toute question doit être adressée au gérant du centre Black & Decker le plus près. Ce produit n'est pas destiné à un usage commercial.

Imported by / Importé par  
Black & Decker Canada Inc.  
100 Central Ave.  
Brockville (Ontario) K6V 5W6

Consulter les pages jaunes sous la  
rubrique « Outils - électriques » pour  
obtenir le numéro de la division des  
services et des ventes.



- **Evite el contacto corporal con superficies a tierra tales como tubería, radiadores, estufas/cocinas y refrigeradores.** El riesgo de electrochoque se incrementa cuando el cuerpo está en contacto a tierra.

**⚠️ ADVERTENCIA:** El polvo creado al lijar, serruchar, pulir, taladrar o realizar otras actividades de la construcción, contiene sustancias químicas que se sabe producen cáncer, defectos de nacimiento u otros defectos del sistema reproductor. Algunos ejemplos de esos productos químicos son:

- El plomo de las pinturas a base de plomo,
- La sílice cristalina de los ladrillos, del cemento y de otros productos de albañilería, y
- El arsénico y el cromo de la madera tratada químicamente (CCA).

El riesgo que se corre a causa del contacto con esos productos varía según la frecuencia con que usted realice este tipo de trabajos. Con el fin de reducir su exposición a esas sustancias químicas, trabaje en un área bien ventilada y utilice un equipo de seguridad reglamentario, tal como una máscara contra el polvo especialmente diseñada para filtrar partículas microscópicas.

La etiqueta de su herramienta puede incluir los siguientes símbolos.

V .....	volts	SPM .....	Golpes por minuto
A .....	amperes	Hz .....	hertz
W .....	watts	min .....	minutos
~ .....	corriente alterna	==== .....	corriente directa
nº .....	velocidad sin carga	☐ .....	construcción clase II
⊕ .....	terminales de conexión a tierra	...../min .....	revoluciones o reciprocaciones por minuto
⚠️ .....	símbolo de alerta seguridad		

#### DISPOSITIVOS (FIGURA A)

1. Conmutador prende/apaga (On / Off) (dirección de avance)
2. Conmutador prende/apaga (On / Off) (dirección de reversa)
3. Collar de seguro del husillo
4. Mango sujetador de broca
5. Portabaterías

#### INSTALACIÓN DE BATERÍAS

El taladro AD600 sólo usa cuatro baterías alcalinas de tamaño AA.

Para instalar las baterías en la herramienta, quite la tapa del extremo del portabaterías (5) oprimiendo las dos lengüetas (7), según se ilustra en la Figura B. Tire del portabaterías sacándolo fuera de la herramienta, según se ilustra en la Figura C, y siga las instrucciones de posición de las baterías, impresas en el portabaterías. (Los polos positivo y negativo de las mismas están marcadas con los signos de + y - .) **NOTA:** Algunos fabricantes de baterías marcan sólo el polo positivo (+). En estos casos, el polo sin marcar equivale al polo (-). Instale las baterías según se indica y reinstale la tapa.El conjunto de tapa y portabaterías encajará otra vez en la herramienta de una sola manera. Si parece que el conjunto no encaja bien, no lo fuerce. Gírelo media vuelta y pruebe otra vez. Cuando entre por completo, asegúrese de que las dos lengüetas encajan en su lugar. **IMPORTANTE:** Las baterías incorrectamente instaladas reducirán el rendimiento de la herramienta o impedirán que opere del todo. Si las baterías son nuevas y usted siente que a la herramienta le falta corriente o no funciona, verifique bien el portabaterías para ver si éstas están instaladas correctamente (los signos de + y - están alineados según se ilustra.) Si la instalación correcta y baterías nuevas no brindan un rendimiento satisfactorio, lleve o envíe su herramienta al Centro de Servicio Black & Decker más cercano para una inspección cabal. Ponga cuidado al guardar la herramienta para que el interruptor no vaya a quedar oprimido inadvertidamente por algún objeto. Esto obviamente agotaría las baterías en poco tiempo.

#### Instrucciones de operación

##### INSERCIÓN DE UN ACCESORIO (FIGURA D)

- Sujete la unidad con una mano.
- Tire la manga (4) hacia atrás.
- Inserte la espiga del accesorio (6) en el portabrocas.
- Suelte la manga.

##### SEGURO DE HUSILLO MANUAL (FIGURA E)

El seguro de husillo manual le permite usar la herramienta como un destornillador manual corriente. Usted puede darle un atornillado o destornillado adicional a un tornillo para apretarlo o aflojarlo, según el caso.

- Para activar el seguro del husillo, gire el collar (3) hasta que aparezca el símbolo de **SEGURO**.
- Para liberar el seguro del husillo, gire el collar (3) hasta que aparezca el símbolo de **CORRIENTE**.

**NOTA:** No trate de operar la herramienta cuando el seguro del husillo está activado.

##### PARA OPERAR LA HERRAMIENTA (FIGURA A)

- Asegúrese que el seguro del husillo está liberado.
- Para apretar un tornillo o tuerca, mantenga oprimido el conmutador prende/apaga (on/off) (1).
- Para aflojar un tornillo o tuerca, mantenga oprimido el conmutador prende/apaga (on/off) (2).
- Para apagar la herramienta, suelte el conmutador prende/apaga (on/off).

##### SUGERENCIA PARA UN USO ÓPTIMO

- Use siempre el tipo correcto de broca destornilladora
- Si los tornillos son difíciles de apretar, trate aplicando una pequeña cantidad de líquido detergente o jabón como lubricante.
- Use el seguro de husillo para aflojar tornillos demasiado apretados o para apretarlos firmemente.
- Mantenga la herramienta y la broca destornilladora en línea recta con el tornillo.
- No use brocas de taladro con un diámetro mayor de 1/4 pulgada.
- Al taladrar en placas para tabicar use una broca de 3/16 pulgadas para los tapones suministrados.
- Al atornillar en madera, taladre un hueco piloto de 1/16 pulgadas para los tornillos suministrados. Un hueco piloto guía al tornillo y evita el astillado o distorsión de la madera.

#### Mantenimiento

Sólo use jabón suave y un paño húmedo para limpiar la herramienta. Nunca debe permitir que algún líquido penetre la herramienta; nunca sumerja la herramienta o parte de ella en algún líquido.

**IMPORTANTE:** Para garantizar la SEGURIDAD y FIABILIDAD del producto, toda reparación, mantenimiento y ajuste debe efectuarse en los centros de servicio autorizados u otro personal calificado, utilizando siempre para ello repuestos originales.

##### LUBRICACIÓN

Las herramientas Black & Decker vienen perfectamente lubricados desde fábrica y están listas para usar.

##### ACCESORIOS

Los accesorios que se recomiendan usar con su herramienta están disponibles en su centro de servicio local o centro de servicio autorizado. Si necesita ayuda para obtener un accesorio, favor llamar al: **(800-544-6986)**

**ATENCIÓN:** Use sólo accesorios de espiga hexagonal con este producto. Puede ser peligroso usar cualquier accesorio no recomendado.

##### INFORMATION ACERCA DE NUESTROS CENTROS DE SERVICIO

Black & Decker ofrece una red completa de centros de servicio y centros autorizados en toda Norteamérica. Todos los centros de servicio Black & Decker disponen de personal entrenado para dar un servicio eficiente y confiable a las herramientas eléctricas de sus clientes. De necesitar orientación técnica, reparación o repuestos originales de fábrica, diríjase al centro Black & Decker local. Para hallar la ubicación del centro de servicio más cercano, busque en las páginas amarillas de la guía telefónica bajo "Herramientas—Eléctricas" o llame a: 1-800-544-6986

##### GARANTÍA COMPLETA DE DOS AÑOS PARA USO DOMÉSTICO

Black & Decker (U.S.) Inc. garantiza este producto por dos años contra todo defecto de material y fabricación. Esta garantía no incluye las baterías. El producto defectuoso será reemplazado o reparado sin costo en una de las dos formas siguientes.

La primera opción, que resultará en intercambio solamente, será devolviendo el producto al minorista donde fue comprado (siempre que la tienda sea un minorista participante). Las devoluciones deberán hacerse dentro del período de intercambio que el minorista tiene por política (generalmente de 30 a 90 días después de la venta). La prueba de compra podrá ser requerida. Favor informarse con el minorista sobre la política específica de devolución en cuanto a devoluciones hechas en fecha posterior a la fijada para intercambios.

La segunda opción es llevar o enviar el producto (pre-pagado) a un centro de servicio Black & Decker o un centro autorizado para reparaciones o reemplazo, a nuestra discreción. La prueba de compra podrá ser requerida. Los centros de servicio Black & Decker o centros autorizados se anuncian bajo "Herramientas - Eléctricas" en las páginas amarillas de la guía telefónica.

Esta garantía no aplica a los accesorios. Esta garantía le otorga a usted derechos legales específicos y otros derechos que pueden variar de estado en estado y de provincia a provincia. Si tiene alguna pregunta, comuníquese con el gerente de su centro de servicio Black & Decker más cercano. Este producto no está destinado al uso comercial.

##### PARA REPARACION Y SERVICIO DE SUS HERRAMIENTAS ELECTRICAS FAVOR DE DIRIGIRSE AL CENTRO DE SERVICIO MAS CERCANO

CULIACAN	Av. Nicolas Bravo #1063 Sur	(56 77) 12 42 10
GAUDALAJARA	Av. La Paz #1770	(33 38) 26 69 78
LEON	Polara #32	(47 77) 13 14 56
MEXICO	Sonora #134 Hipodromo Condesa	(55 55) 53 99 79
MERIDA	Calle 63 #459	(99 99) 23 54 90
MONTERREY	Av. Francisco I. Madero Pte. 1820-A	(81 83) 72 11 25
PUEBLA	17 Norte #2057	(22 22) 46 90 20
QUERETARO	Av. Madero 139 Pte.	(44 22) 14 60 60
SAN LOUIS POTOSI	Pedro Moreno #408 Fracc. la Victoria	(44 48) 14 25 67
TORREON	Blvd. Independencia, 96 pte.	(87 17) 16 52 65
VERACRUZ	Prolongación Diaz Miron #4280	(29 99) 21 70 18
VILLAHERMOSA	Zaragoza #105	(99 33) 12 53 17

##### PARA OTRAS LOCALIDADES LLAME AL: (55) 5326-7100

Para servicio y ventas consulte "HERRAMIENTAS ELECTRICAS" en la sección amarilla.



IMPORTADO: BLACK & DECKER S.A. DE C.V.  
BOSQUES DE CIDROS ACCESO RADIATAS NO. 42  
COL. BOSQUES DE LAS LOMAS.  
05120 MÉXICO, D.F.  
TEL. 3-26-71-00

#### Epecificaciones

##### AS600

Tensión de alimentación	6V
Revoluciones o porminuto	130/min